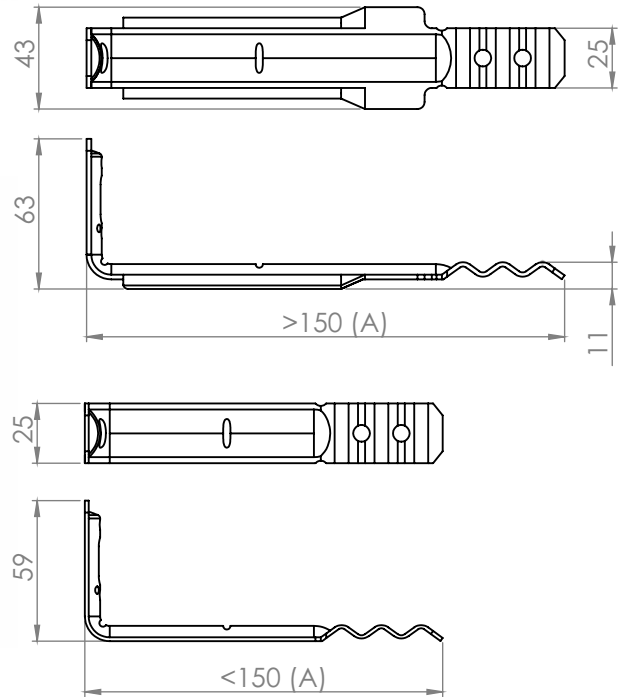


Heavy Duty Veneer Wall Tie



DESCRIPTION

Heavy duty veneer wall tie.

FEATURES

- Clay brick / block work
- For larger cavity construction
- Additional strengthening wings on ties over 150mm
- Multiple fixing options
- Universal applications
- Australian design & tested AS/NZS 2699.2:2020

SIZES

Standard Sizes : 150mm, 200mm, 250mm and 300mm
Special Order : 350mm, 400mm, 450mm and 500mm

FIXING REQUIREMENTS

- Cerra Multipurpose Screw hex head 10g X 35mm (Metal / Timber)
- For more information contact us with your project requirements.

CORROSION CHARACTERISTICS

Hot dipped galvanised (R3)
 Stainless steel 316L (R4)
 Conforms to corrosion resistance set by AS/NZS 2699.2:2020 / AS 3700.

ORDERING INFORMATION

When ordering please supply use with the part number and quantity you require

CGT12-HD-250-R4

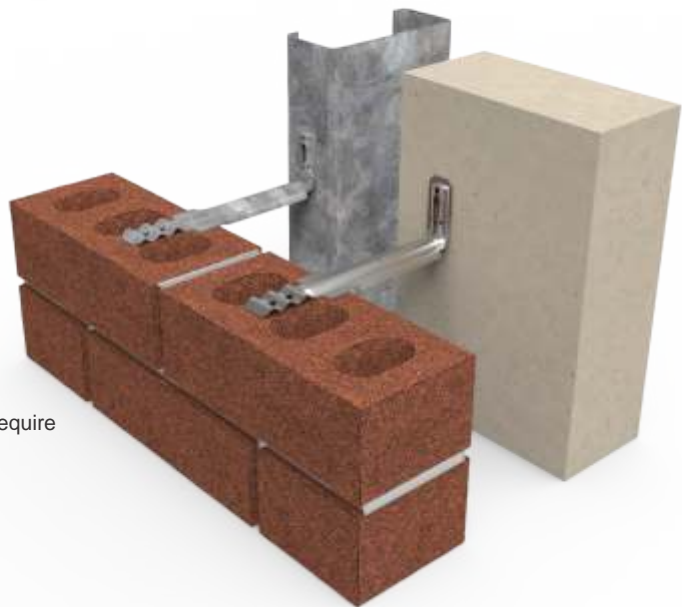
PRODUCT CODE

LENGTH

MATERIAL

A
 150 350
 200 400
 250 450
 300 500

Specify
R3 for Hot dipped galvanised
R4 for Stainless steel 316L **SPECIAL ORDER**



Datasheet